



昕燁達科技有限公司

LED 軟燈條配件系列

RGB 控制器

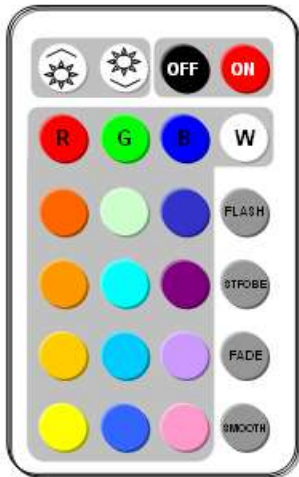
ACCRGBC12V-24V/6A



ACCRGBC12V/6A



ACCRGBC12V-24V/12A



ON: 開啓燈效 OFF: 關閉燈效




1. 於固定燈色時, "明暗"調整(16段調整)
2. 於燈色變化模式時, "速度"調整(16段調整)

FLASH


STROBE

FADE

SMOOTH

四種燈效變化模式, 速度可由  按鍵控制



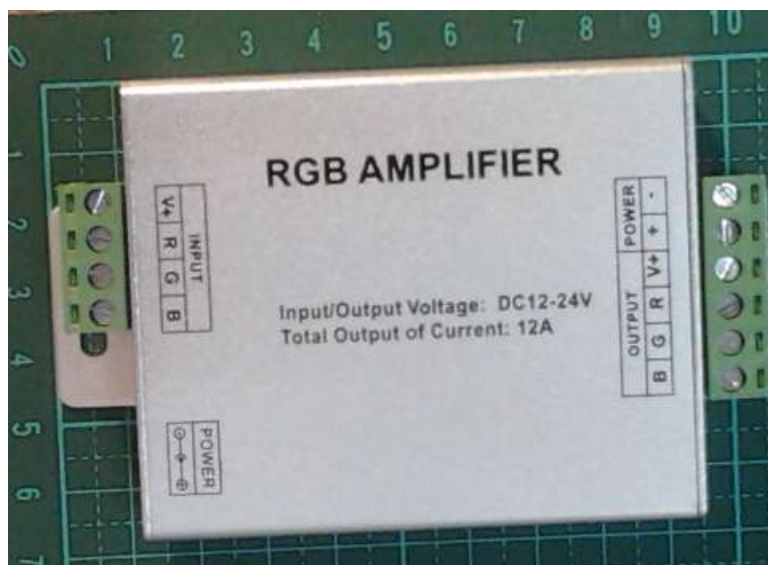
固定燈色模式(16色), 明暗可由  按鍵控制

四、故障分析和解決辦法

故障現象	原因分析	解決辦法
LED 燈不亮	開關電源沒有電	檢查開關電源
	電源正負線接反	改正過來
	控制器輸入接頭短路	檢查線路，確保無短路現象
	接錯線或不牢固	檢查接線；加固接線
	LED 燈不良	更換 LED 燈
前後 LED 燈亮度不均	電源到控制器的線太長或太細	縮短電源到控制器的距離，且加粗電源線徑，一般線徑為 4mm ²
	控制器到 LED 燈的輸出線太長或太細	縮短控制器到 LED 燈的距離，且加粗接到 LED 燈的四條線線徑，一般建議 4mm ² (視 LED 燈多寡)
	LED 產品連接超過標準長度	按 LED 燈標準長度連接
	電源負荷	建議電源負載小於滿負載的 80%
	控制器負荷過大	減少 LED 燈，使用控制器負載小於滿負載的 80%
LED 顏色變化不正常	LED 顏色變化與變化樣式不一致	檢查 LED 燈顏色與控制器上顏色是否一一對應
	LED 燈有一種或者兩種顏色常亮	檢查對應顏色主線是否與其他線短路

RGB 訊號放大器

ACCRGBA12-24V/12A



LED 全彩軟燈條超過 RGB 控制器所能承受的最大消耗功率之後，就必須串連 RGB 控制器做同步控制。如果串連長度超過訊號放大器能承受的上限，軟燈條之後的長度就必須

再串連下一個訊號放大器，其餘類推。

LED 軟燈條調光控制器 A

ACCD12-24V/8A



適用 LED 單色軟燈條在負荷 8A 限制內調光用。

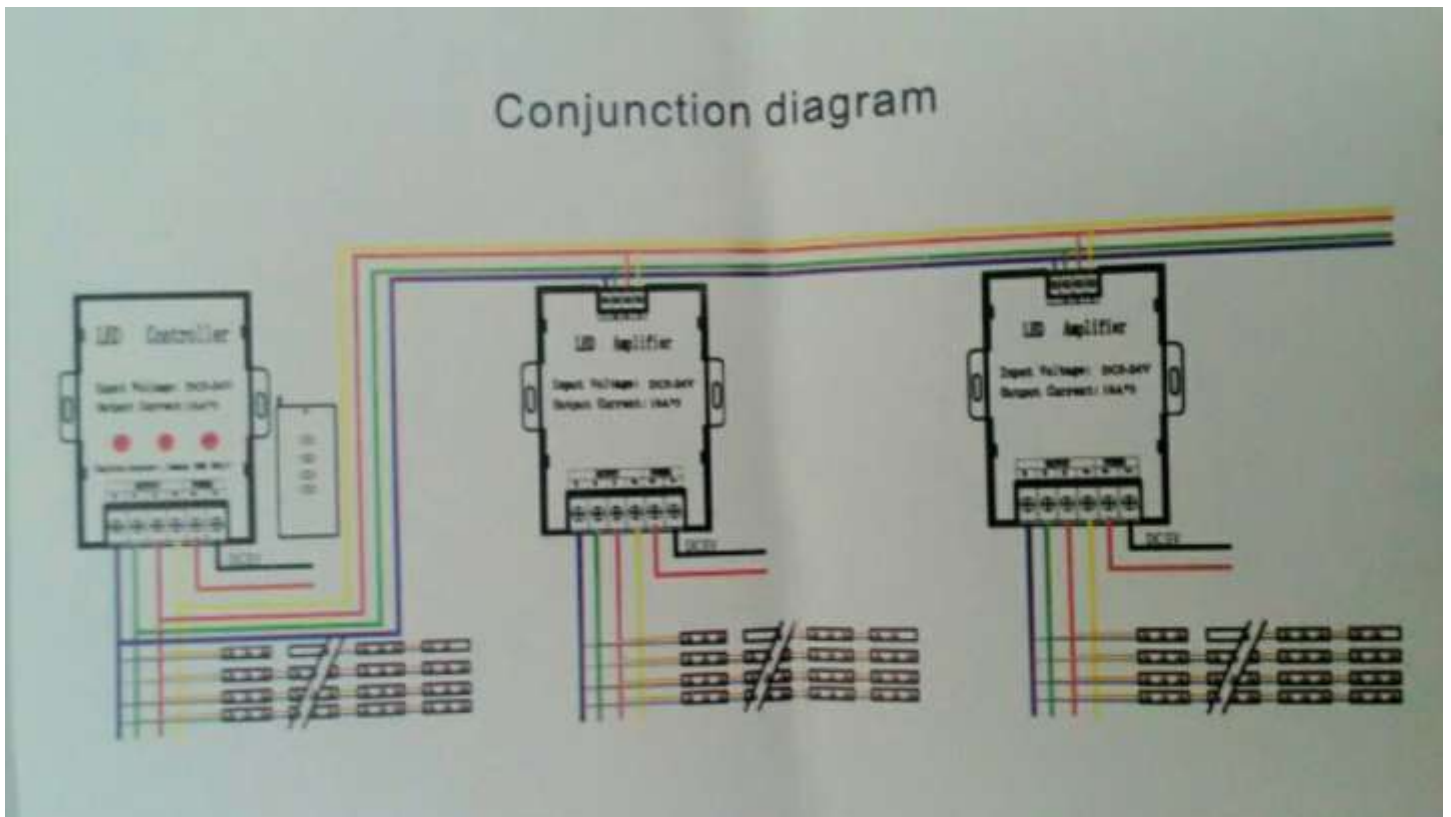
ACCD12V/6A

LED 軟燈條調光控制器 B



適用 LED 單色軟燈條在負荷 6A 限制內調光用，另有 4 段閃爍模式可選擇。

ACCD5-24V/30A



Group controller

Technical Parameters

- Product size: 110*90*25mm
- Package size: 145*95*50mm
- Supply voltage: DC 5V-24V
- Connecting mode: common anode
- weight: 270g
- Output current: $\leq 10A$ (each channel)
- Output power: 360W



Push button A and Button D simultaneously for one second before you start the remote controller the first time.

Direction for use

1. Connect the load wire at first, then the power wire; Never connect two wires directly in case of short circuit;
2. According to mode key to choose the different changing mode every time, when the key is pressed, the effect is changed, functional changes have been listed as follows;
3. Press speed key can change every effect's speed changing progression, "S/B+" add one when you press the button every time, but "S/B-" will subtract one, totally 10 progressions to change the speed.
4. Standard functional changes have been listed as follows:

MODE			MODE		
1	Static red	Brightness adjustable	9	seven color jumpy changing	Speed is adjustable
2	Static green	Brightness adjustable	10	Three color gradual changing	Speed is adjustable
3	Static blue	Brightness adjustable	11	seven color jumpy changing	Speed is adjustable
4	Static red and green	Brightness adjustable	12	R G B quickly change	Speed is adjustable
5	Static red and blue	Brightness adjustable	13	Mode 9 and mode 11	Speed is adjustable
6	Static green and blue	Brightness adjustable	14	RGB gradual changing at the same	Speed is adjustable
7	Static red and green and blue	Brightness adjustable	15	RGB changing like running water	Speed is adjustable
8	Three color jumpy changing	Speed is adjustable			